

DESCRIPTION

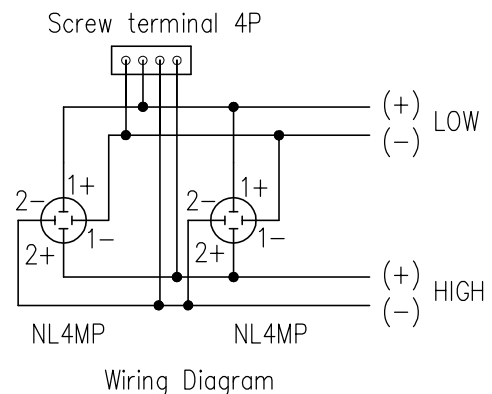
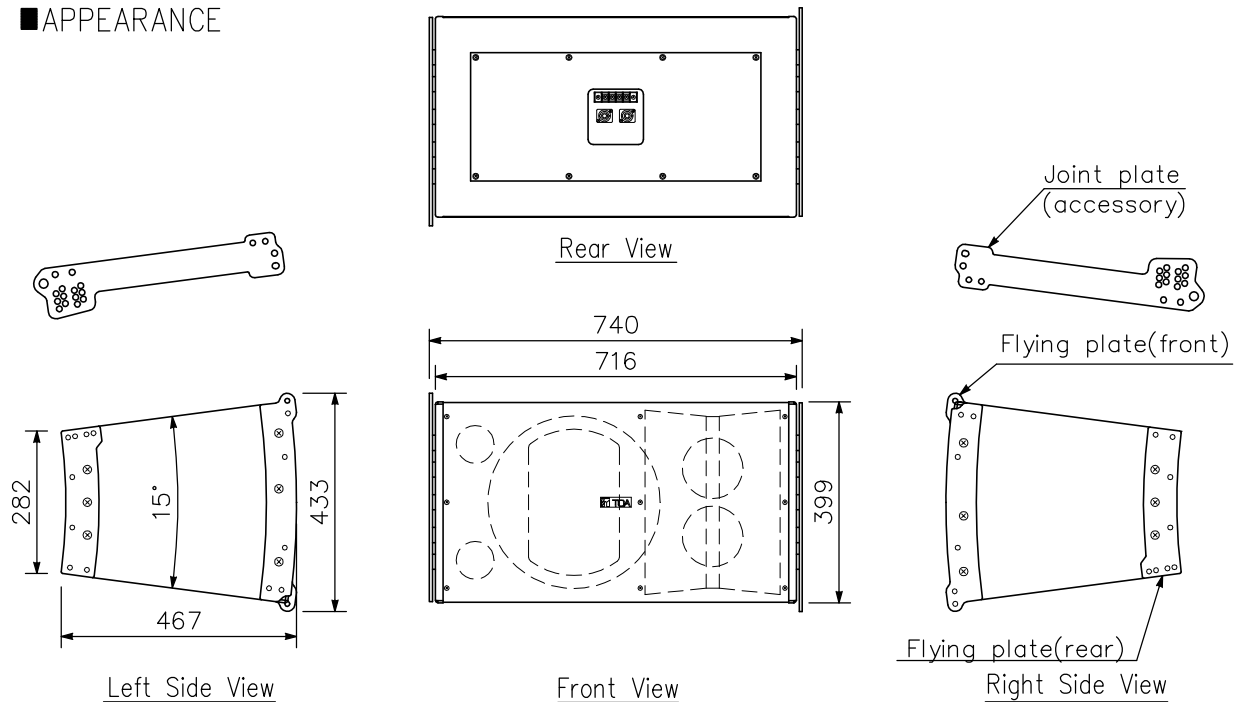
Featuring the line arrayed wave front control technology that creates sound fields with uniform sound pressure and high sound clarity, the SR-A12S is a two-way line array speaker ideal for short distance sound transmission.

The SR-A12S employs the multi-amplifier drive system and is designed to be used in conjunction with the optional DP-0206 Digital Processor.

SPECIFICATIONS

Enclosure	Bass-reflex type
Power Handling Capacity	Continuous program Low frequency: 450 W, High frequency: 180 W
Rated Impedance	Low frequency: 8 Ω, High frequency: 16 Ω
Sensitivity	Low frequency: 98 dB (1 W, 1 m), High frequency: 109 dB (1 W, 1m)
Frequency Response	50 - 20,000 Hz (when using DP-0206 (option))
Crossover Frequency	1,000 Hz (when using DP-0206 (option))
Directivity Angle	Horizontal: 90°, Vertical: 15°
Speaker Component	Low frequency: 30 cm cone-type High frequency: Wave front control horn 90° (horizontal) × 15° (vertical) + compression driver × 2
Input Connector	M5 screw terminal, distance between barriers: 12.2 mm and Neutrik NL4MP × 2
Finish	Enclosure: Plywood, black, paint Front grille: Punched steel plate, black, acrylic paint
Dimensions	740 (W) × 433 (H) × 467 (D) mm
Weight	47 kg (including accessories)
Accessory	Joint plate × 2, Joint plate mounting bolt (M10) × 16
Option	Rigging frame: SR-RF12 Digital processor: DP-0206

APPEARANCE



UNIT: mm SCALE: 1/15