

Since spring 2010, we have offered WBT's Premium RCA plugs nextgen™ 0110 Signature in an exclusive MCap® variant with contacts made of the same highly purified silver-gold alloy which is also used for the metallization of our Supreme SilverGold capacitors.

Thus, this recognised high-quality plug is not only an supplement for SilverGold cables such as Mundorf's Ai605 but also increases the transmission qualities of high-quality audio cables to come to perfection without impairing neutrality; even in small details, pure SilverGold filters out more musical substance from electrical audio signals than any other conductor materials known to us.

Reason enough to refer again to our well-proven MSolder Supreme SilverGold solder at this point - quasi as perfect match for a perfect plug.



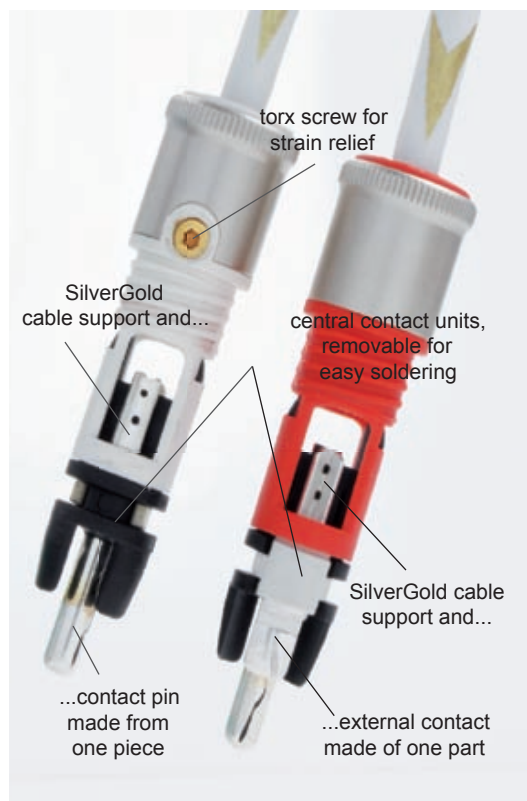
After mounting, the external contact is firmly clamped to the RCA connector applying the WBT chuck mechanism which has the same function as the chuck of a drilling machine. The high contact pressure does not only provide secure connection but also minimises the transition resistance.

As the clamping sleeve is designed in two parts, the front part does not rotate when tightening the sleeve. Thus the contact elements are not subjected to any rotational stress. The contact pressure element between contact and sleeve is made of plastic so that the sleeve is completely insulated and cannot influence the signal. Moreover, dimensional inaccuracies of the external contacts are compensated by the RCA connectors.

As from spring 2012, we offer the abovediscribed plug alternatively with OFC copper contacts.



The RCA plug nextgen™ 0110 AgAu SilverGold is exclusively produced by WBT for Mundorf



Internal values: the aluminium clamp sleeve is screwed on from the outside

General data:

Cable diameter: up to 9mm
Characteristic impedance: 75 Ohm
Transmission bandwidth: 1 GHz
Alloy/contacting elements: 99% silver, 1% gold
Purity of silver: min. 99,97%, typ. 99,99%
Purity of gold: min. 99,97%, typ. 99,99%
Strain relief: torx screw (T .6)

MCON0110

Nextgen RCA-plugs

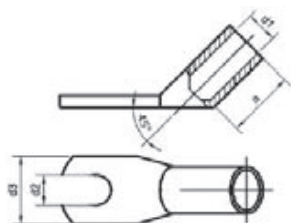
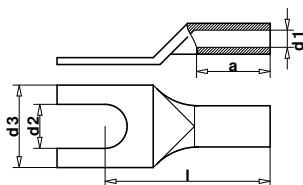
Conductor	Colour	1 pair [€]
CU (Copper)	black	59,90
SG (SilverGold)	red	124,90



Our **fork cable lugs** are made from the purest OFC-copper. The acoustic advantages are described in the chapter on pole terminals. Even large cable cross-sections can be processed. Because soft copper is unsuitable for the use of threads, we have decided to use a soldered connection between the lug and the cable.

Version: straight form

Typ	d1	d2	d3	l	a
Dimensions [mm]					
M6	5,4	6,4	12	24,5	11
M8	5,4	8,4	15	26,5	11



Version: angle form

Typ	d1	d2	d3	a
Dimensions [mm]				
M6	5,9	6,4	14,3	19
M8	5,9	8,1	15,4	19

MCONCL

Cable lugs, straight form

[mm]		1 pair [€]
6T	tin-plated	6.99
8T	tin-plated	6.99

MCONCL

Cable lugs, angel form

[mm]		1 pair [€]
6T	pure copper	6.99
8T	pure copper	6.99

MCONCL (replaced mconcl6p/8p - platinised)

Cable lugs, straight form

[mm]		1 pair [€]
6S	silver-plated	9.99
8S	silver-plated	9.99

MCONCL

Cable lugs, angel form

[mm]		1 pair [€]
6G	gold-plated	13.90
8G	gold-plated	13.90



Our **banana plugs** are manufactured using a special beryllium copper sheet and subsequently gold plated. The beryllium gives the copper the necessary spring tension that is needed in order to ensure a high contact pressure when in contact with a socket and therefore guaranteeing security. The acoustic advantages of copper remain largely unaffected.

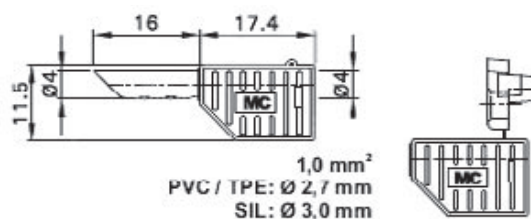
Technical specifications:

Stackable terminals with receptacles for setting up audio cables.

Versions: Ø 4 mm gold-plated with solder posts

Rated voltage: 30VAC ~ 60VDC

Rated current: max. 19A



MCONBPG

Banana plugs, beryllium-copper, gold-plated

Insulation		1 pair [€]
	non insulated	3.99
BK	black	5.79
RD	red	5.79
WH	white	5.79
YE	yellow	5.79

For preparation we recommend MSolder SUPREME. (see p. 57)

The **TPCU Terminal Posts** from **OFC-copper** are designed to meet the highest demands on mechanical precision, acoustical performance and aesthetics. Made in Germany from the solid our TPCU series combines maximum conductor cross-section with lowest transfer resistances. Thus they unite tonal clarity, beauty and stereo-phonics spaciousness with harmonious-warmth and splendid brightness.

Pure copper terminals should be cleaned periodically with copper-polish or a mixture of vinegar and water to prevent oxidation. Alternatively we offer 'maintenance-free' versions plated with **silver** or **gold**.

The scope of delivery includes two nuts, one washer and a spring washer for safe assembly. Standard insulation material furthermore acts as rotation protection and polarity marking.

We offer red and black coloured markings ex stock and spot colours upon request.

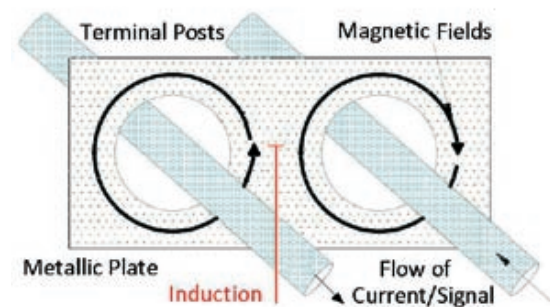
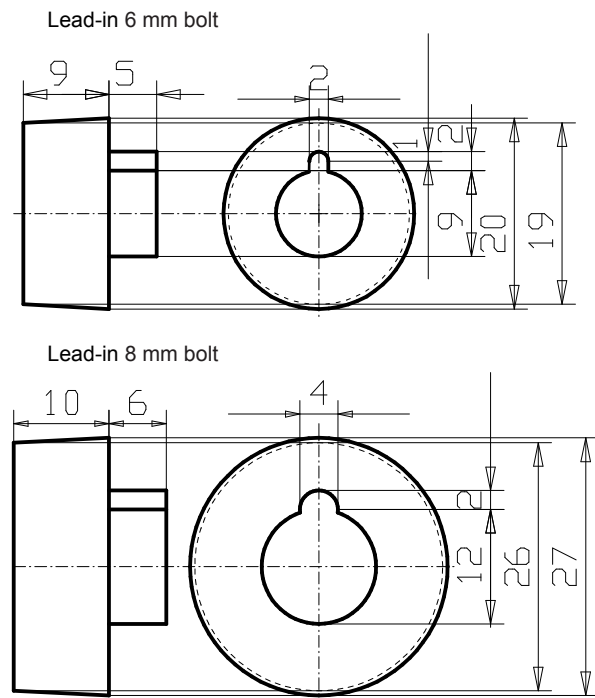
Mundorf recommends non-metallic mounting plates. Else the terminal posts induce a charge via counter-rotating magnetic fields into the mounting plate that distorts the music signal by absorbing energy from it. So more electric power is transmitted, the higher is the inductance and hence the loss of energy and fine details (see diagram).

TPCU670 Connections

- External:
- 6mm cable lugs (spades),
- 1x 4mm banana plug
- Internal:
- 6mm cable lugs (spades),
- Solder Terminal

TPCU870 Connections

- External:
- 6 and 8mm cable lugs (spades)
- 2x 4mm banana plugs
- bare cable ends
- Internal:
- 8mm cable lugs (spades)
- 4mm banana plugs
- Solder Terminal (see also highly recommended MSolder on page 57)

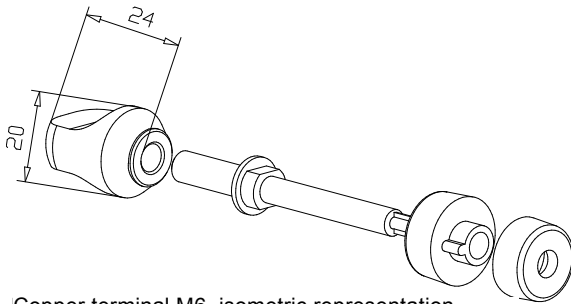




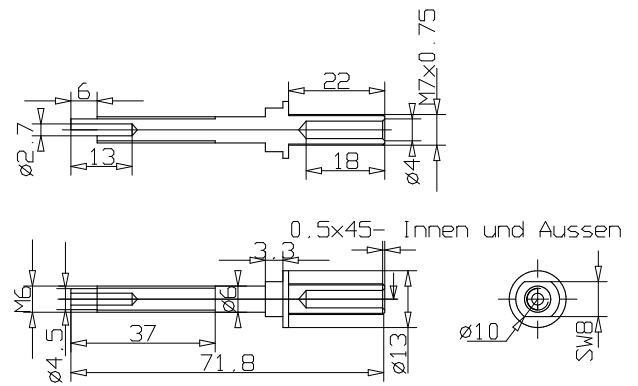
Binding posts Classic, 6 * 70mm



Binding posts Evo, 6 * 70mm



Copper terminal M6 isometric representation



TPCU670C (formerly polcu6)

Binding posts Classic, 6*70mm, pure copper

Colour	[€]
BK (black)	24,90
RD (red)	24,90

TPCU670SC (replaced polcu6p - platinised)

Binding posts Classic, 6*70mm, copper silver-plated

Colour	[€]
BK (black)	27,90
RD (red)	27,90

TPCU670GC (formerly polcu6g)

Binding posts Classic, 6*70mm, copper gold-plated

Colour	[€]
BK (black)	29,90
RD (red)	29,90

TPCU670E

Binding posts Evo, 6*70mm, pure copper

Colour	[€]
BK (black)	24,90
RD (red)	24,90

TPCU670SE

Binding posts Evo, 6*70mm, copper silver-plated

Colour	[€]
BK (black)	27,90
RD (red)	27,90

TPCU670GE

Binding posts Evo, 6*70mm, copper gold-plated

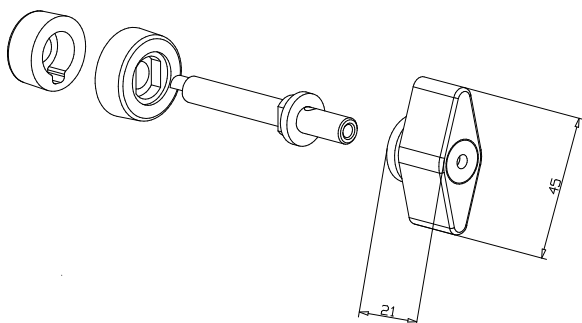
Colour	[€]
BK (black)	29,90
RD (red)	29,90



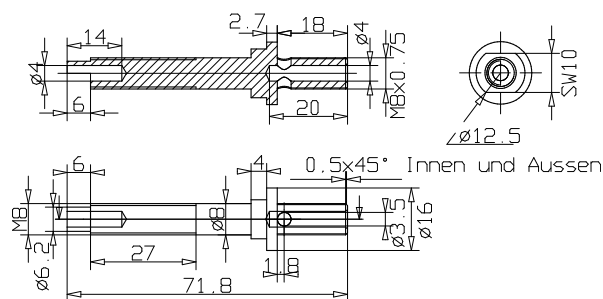
Binding posts Classic, 8 * 70mm



Binding posts Evo, 8 * 70mm



Copper terminal M8 isometric representation



TPCU870C (formerly polcu8)

Binding posts Classic, 8*70mm, pure copper

Colour	[€]
BK (black)	29,90
RD (red)	29,90

TPCU870SC (replaced polcu8p - platinised)

Binding posts Classic, 8*70mm, copper silver-plated

Colour	[€]
BK (black)	32,90
RD (red)	32,90

TPCU870GC (formerly polcu8g)

Binding posts Classic, 8*70mm, copper gold-plated

Colour	[€]
BK (black)	34,90
RD (red)	34,90

TPCU870E

Binding posts Evo, 6*70mm, pure copper

Colour	[€]
BK (black)	29,90
RD (red)	29,90

TPCU870SE

Binding posts Evo, 6*70mm, copper silver-plated

Colour	[€]
BK (black)	32,90
RD (red)	32,90

TPCU870GE

Binding posts Evo, 6*70mm, copper gold-plated

Colour	[€]
BK (black)	34,90
RD (red)	34,90

Hexagon socket head screws M4x30mm, with flat heads and wooden thread made from black galvanized or gold-coated steel, fit into our mounting plates.

ISK430BK

Hexagon socket head screws M4 * 30 mm, black

12 pcs [€]	120 pcs [€]
1.99	11.90

ISK430GD

Hexagon socket head screws M4 * 30 mm, gold-plated

12 pcs [€]	120 pcs [€]
19.90	119.90

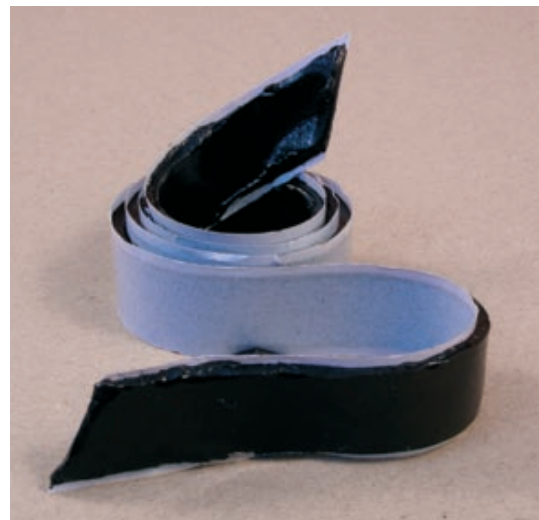


Durably resilient **sealing compounds** made of butyl rubber (isobutane-isoprene rubber) are excellent for effectively preventing tonal influences from unwanted vibrations thanks to their unique damping properties against vibrational energy and shock energy, their high air content as well as their elasticity even at very low temperatures.

This strong adhesive, double-sided sealing tape is universally replaceable and suitable for all well-known surfaces (metal, wood, concrete, acrylic glass, painted surfaces etc.).

With its high UV, ozone, and water resistance it is age-resistant and durably resilient.

Butyl tape is included in the package contents of the acrylic mounting plates. (see also p. 63)



SCBR212

Sealing compound from butyl rubber, 2x12mm

	[€]
price/meter	4,99