

Section Public Address

Category EN 54-24 Loudspeakers

Range C86/20-EN

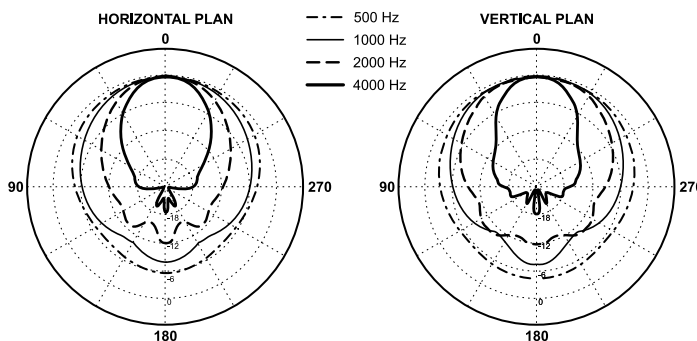
References  
**Safety:** Compliant to EN 60065  
**Emergency:** EN 54-24, EN 60849  
**Application:** Outdoor environments (Type B)  
**Protection Degree:** IP65



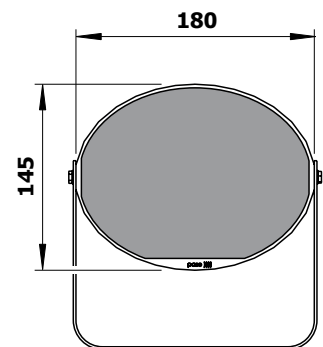
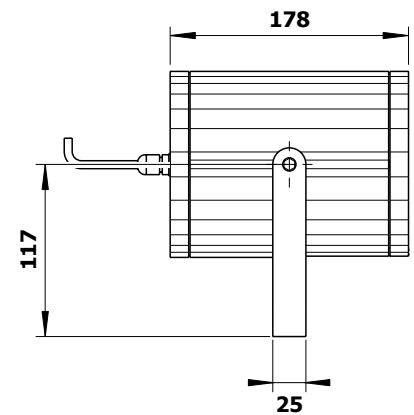
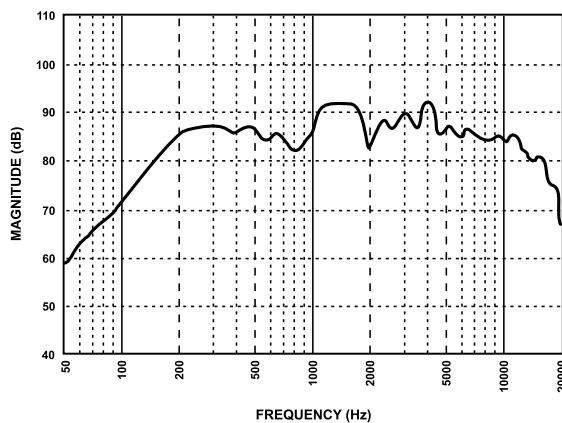
Description **Vandal-proof sound projectors for voice alarm systems**

C86/20-EN vandal-proof sound projectors, characterised by an aluminium alloy housing and steel front grille, are fitted with fireproof cable according to UNI 9795 2010 (length 80 cm). The fixing system makes mounting easy and enables the speaker unit to be turned in the best direction. These speaker units have been developed specifically for use in emergency and evacuation systems (VES) and each has its own ceramic terminal strip and thermal fuse. These ensure the protection of the line connecting the loudspeakers if a fire puts one or more of the speaker units connected to it out of use. The C86/20-EN sound projector has a loudspeaker with a constant-voltage transformer (50, 70, 100 V) and a swivelling bracket for wall-mounting it.

Technical data



Simulated free-field measurements.



Technical data

C86/20-EN



0068

PASO S.p.A Via Settembrini, 34 - 20020 Lainate (MI)

13

0068-CPR-033/2013

**EN 54-24**

Loudspeaker for voice alarm systems  
for fire detection and fire alarm systems for buildings

**C86/20-EN**

Type B

Rated output	20 W (100 V)
Nominal impedance (100 V line)	500 Ω (20W) 1000 Ω (10W) 2000 Ω (5W)
Sensitivity	87 dB (1W/1m)
Max. sound pressure SPL*	100 dB (20W/1m)
Frequency response	150 ÷ 15.000 Hz (peak -10 dB)
Horizontal angle of dispersion (-6 dB)	280° (500 Hz) 190° (1 kHz) 100° (2 kHz) 70° (4 kHz)
Vertical angle of dispersion (-6 dB)	360° (500 Hz) 180° (1 kHz) 130° (2 kHz) 60° (4 kHz)
Operating/storage temperature	-25°C ÷ +55°C / -40°C ÷ 70°C
Relative humidity	< 95%
Dimensions	180 x 145 x 178 mm
Weight	2,4 kg

\* Measurement made at the geometric center of the loudspeaker.