

### KEY FEATURES

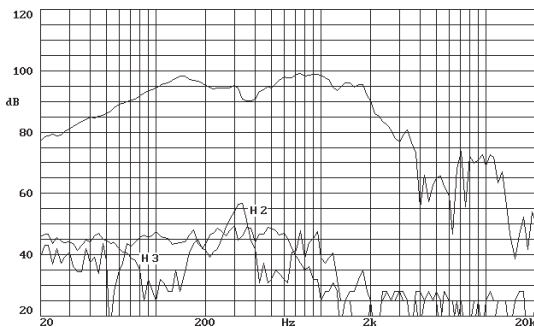
- High power handling (700 W<sub>AES</sub>)
- Waterproof paper cone
- 4" edgewound copper voice coil with polyimide fiber glass former
- Optimum winding length for increased linear excursion
- Spiders of improved temperature behaviour: retain good mechanical properties at high power
- Designed for woofer applications



### GENERAL DESCRIPTION

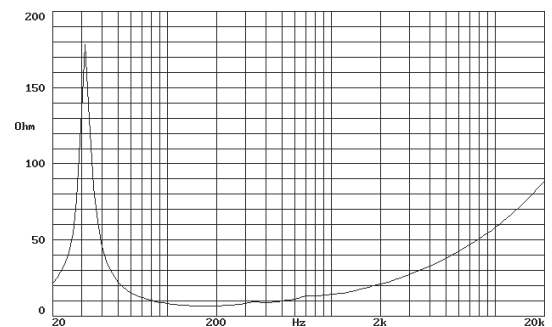
This low frequency transducer is specially intended for the most demanding applications. Its design concept arises from the need of achieve a more resistant loudspeaker that matches the more and more power given by ultimate amplification systems. In order to accomplish that, almost every component of the speaker has been reconsidered: its voice coil has the benefits of an improved manufacturing process and the highest quality materials, while the dual spider configuration includes a nomex spider that maintains its compliance constant with the applied power. Moreover, the magnetic structure construction generates a symmetrical magnetic field and, at the same time, provides an efficient thermal path which contributes to heat dissipation. Furthermore, its parameters has been optimized to obtain an excellent bass response when used in small bass-reflex cabinets.

### FREQUENCY RESPONSE AND DISTORTION CURVES

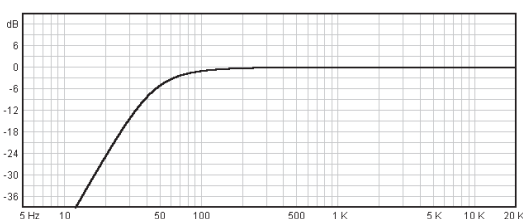


Note: on axis frequency response measured with loudspeaker standing on infinite baffle in anechoic chamber, 1w @ 1m.

### FREE AIR IMPEDANCE CURVE

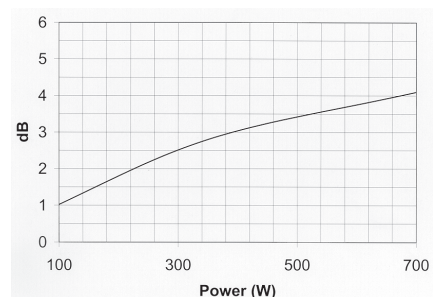


### PREDICTED LOW FREQUENCY RESPONSE



Note: Bass-reflex cabinet, Vb=80 l, fb=45 Hz

### POWER COMPRESSION LOSSES



Note: These losses are calculated from a five minutes AES power test applying band limited pink noise (25-1200 Hz). The loudspeaker is free-air standing.

### TECHNICAL SPECIFICATIONS

Nominal diameter	380 mm.	15 in.
Rated impedance	8 ohms.	
Minimum impedance	7 ohms.	
Power capacity*	700 w AES	
Program power	1400 w	
Sensitivity	97 dB	2.83v @ 1m @ 2π
Frequency range	25 - 1500 Hz	
Recom. enclosure vol.	40 / 150 l	1.4 / 6 ft. <sup>3</sup>
Voice coil diameter	100 mm.	4 in.
Magnetic assembly weight	9 kg.	19.8 lb.
BL factor	23 N / A	
Moving mass	0.122 kg.	
Voice coil length	23 mm.	
Air gap height	9.5 mm.	
X damage (peak to peak)	33 mm.	

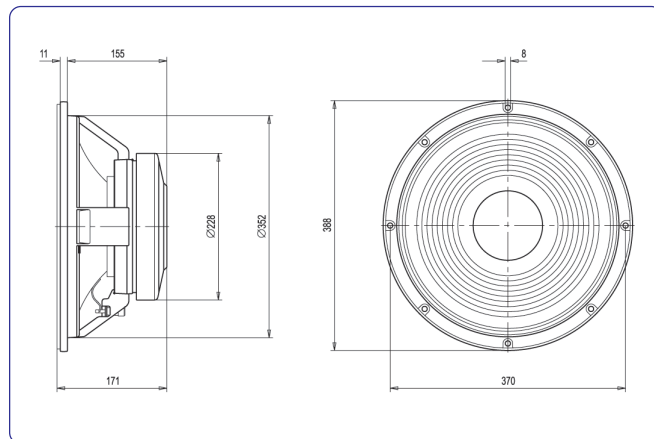
### MOUNTING INFORMATION

Overall diameter	388 mm.	15.28 in.
Bolt circle diameter	370 mm.	14.57 in.
Baffle cutout diameter:		
- Front mount	352 mm.	13.86 in.
- Rear mount	355 mm.	13.98 in.
Depth	171 mm.	6.7 in.
Volume displaced by driver	7 l	0.25 ft. <sup>3</sup>
Net weight	10.4 kg.	22.9 lb.
Shipping weight	11.5 kg.	25.4 lb.

### THIELE-SMALL PARAMETERS\*\*

Resonant frequency, fs	37 Hz
D.C. Voice coil resistance, Re	5.9 ohms.
Mechanical Quality Factor, Qms	9.95
Electrical Quality Factor, Qes	0.31
Total Quality Factor, Qts	0.30
Equivalent Air Volume to Cms, Vas	149 l
Mechanical Compliance, Cms	155 μm / N
Mechanical Resistance, Rms	2.8 kg / s
Efficiency, ηo (%)	2.3
Effective Surface Area, Sd (m <sup>2</sup> )	0.0830 m <sup>2</sup>
Maximum Displacement, Xmax	7 mm.
Displacement Volume, Vd	576 cm <sup>3</sup>
Voice Coil Inductance, Le @ 1 kHz	2.9 mH

### DIMENSION DRAWINGS



### MATERIALS

- **Voice coil:** edgewound copper wire with high temperature bonding strength. Polyimide fiber glass former able to withstand high temperatures.
- **Cone:** waterproof paper cone capable of endure the most extreme conditions.
- **Surround:** treated cloth to assure good retaining of elasticity in despite of continuing use.
- **Spider:** dual spider combination made of nomex + polycotton to maintain good mechanical properties at high applied power.
- **Metal parts:** anti-corrosion coated back plate designed to resist aggressive environmental conditions
- **Basket:** specially designed die cast aluminium basket to avoid disturbing resonances.
- **Magnet:** high Curie temperature ferrite.

#### Notes:

\* The power capacity is determined according to AES2-1984 (r2003) standard. Program power is defined as the transducer's ability to handle normal music program material.

\*\* T-S parameters are measured after an exercise period using a preconditioning power test. The measurements are carried out with a velocity-current laser transducer and will reflect the long term parameters (once the loudspeaker has been working for a short period of time).



acústica beyma, s.a.